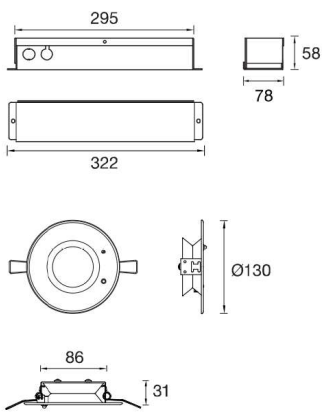


LED Non-maintained recess mount high lumen output emergency light



● UBDR.10.NC180.NM



Dimension: mm NTS
High Power L.E.D

TECHNICAL DATA

Mode of Operation	: Non-Maintained
Lamp	: 10W High Power LED Module
Rated Duration	: 3hrs and others
Mains Supply	: 230 Volts, 50/60Hz
Power Consumption	: < 2.2W
Battery	: High temp Nickel Cadmium
Charge Monitor	: Green LED Ø5mm
Test Facility	: Micro Switch
Safety Feature	: Low volt cut-off preventing battery overdischarge
Fitting Construction	: Electro galvanised steel with epoxy powder coating
Mounting	: Recess
Cable Entry	: Ø20mm K/O hole
Weight	: 1.6kg (gross)
Compliance	: SS 563 : Part 1 & 2, SS IEC 60598-2-22
Warranty	: 1 year

KEY FEATURES

- > High Brightness Output
- > High Lumen/watt Efficiency
- > Standard Size Application for Both Accessible and Inaccessible Ceiling
- > Low Power Consumption
- > Low Maintenance
- > Long Lifespan
- > Mainly Use for High Ceiling (> 8 metre)

ORDERING GUIDE (Please check with Sales Dept if customisation is required)

Model	Lamp	Battery type
UBDR.10.NC180.NM	10W LED Module	Nickel Cadmium

