



## LEDER

### LED EMERGENCY EXIT LIGHT



**ES/M/W510RM (E)**



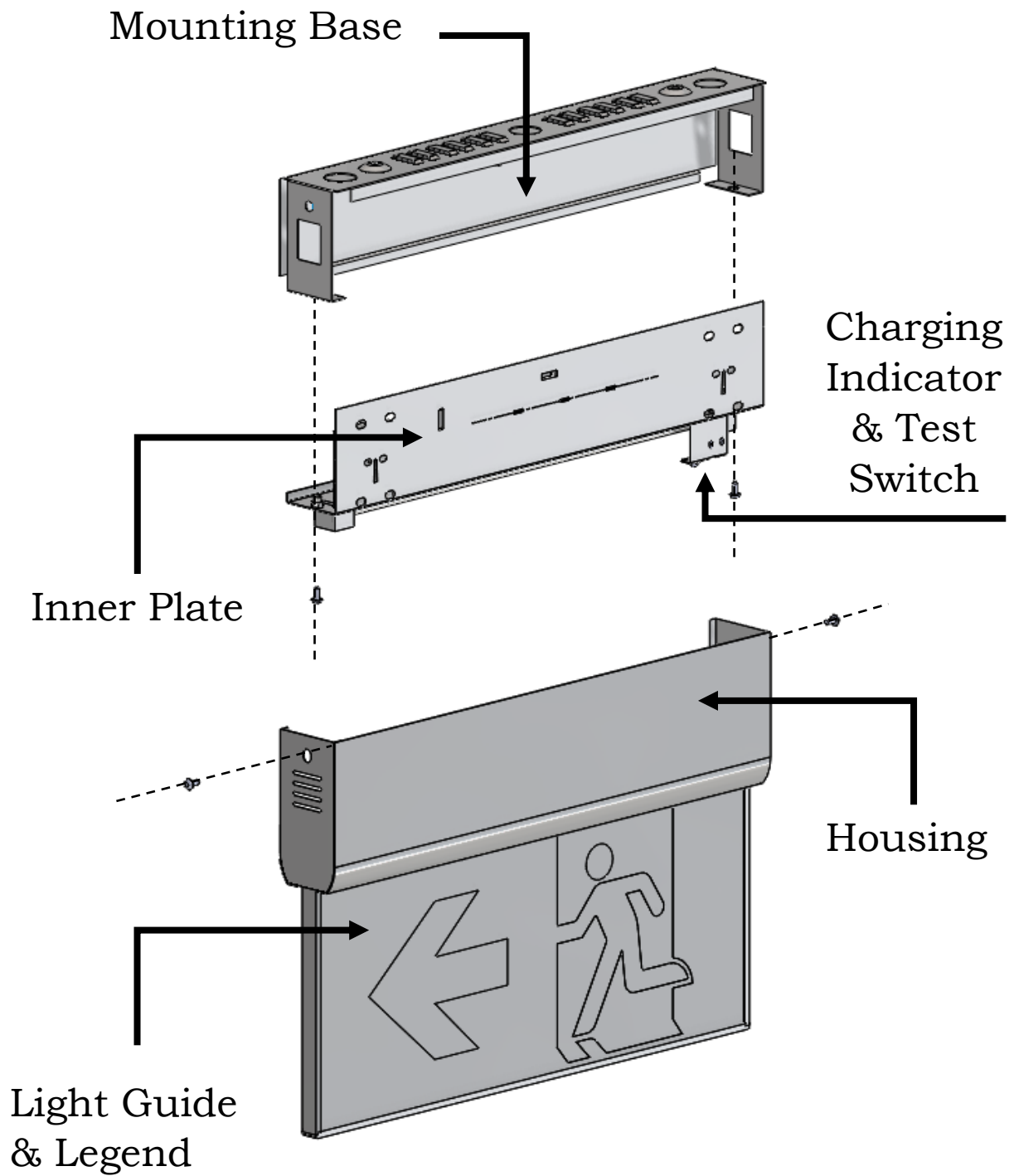
**ES/M/W5100**

### SAFETY INFORMATION

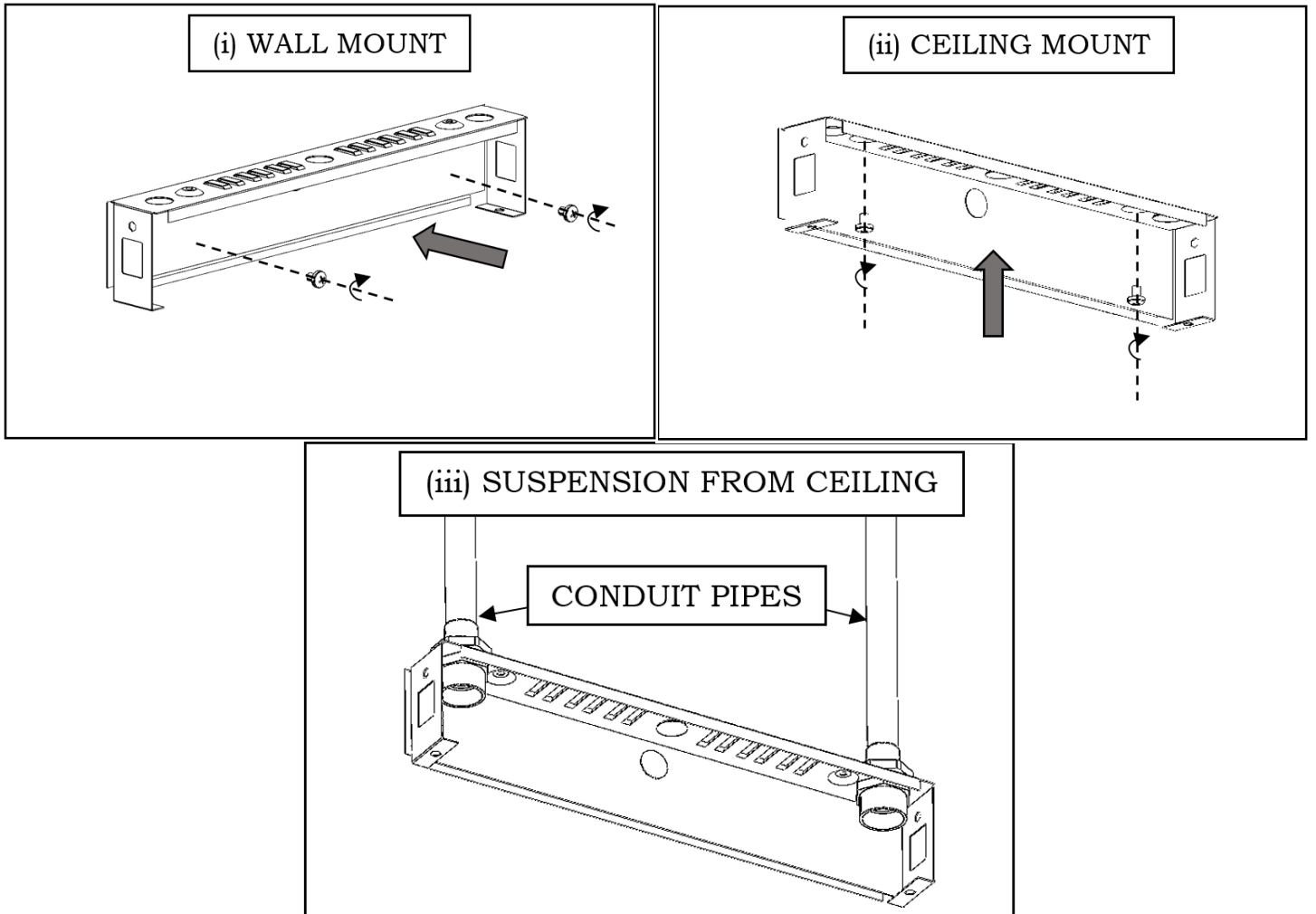
- **Please read and follow this product guide.**
- Servicing and installation of this product must only be done by qualified electrical personnel.
- Do not expose this product to dripping or splashing. Liquids may cause failure and/or fire hazard.
- Replace with Maxspid-approved battery only. Incorrectly replaced battery may cause failure and/or fire.
- Match the polarities of the mains supply with the terminal block and ensure it is firmly secured. Mismatch may cause electric shock.

# INSTALLATION GUIDE

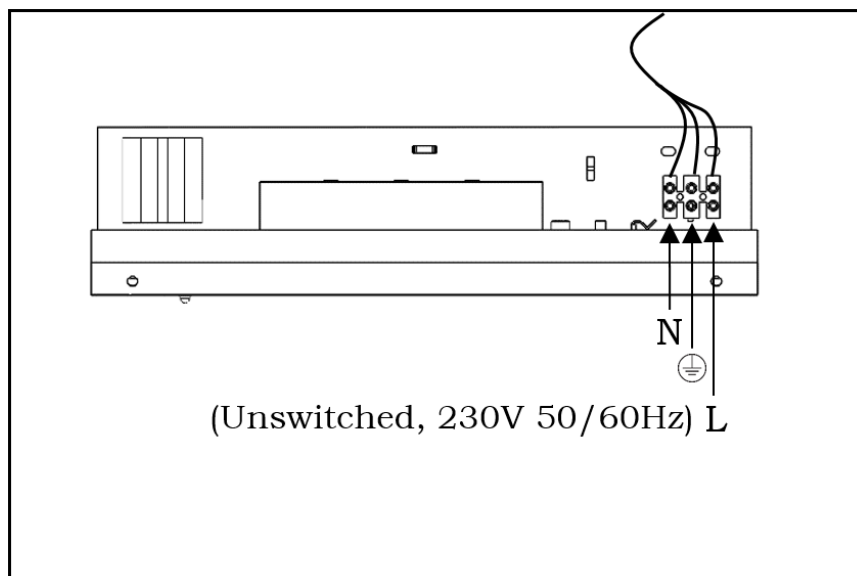
## Unit Description



## Mounting Guide



## Mains Supply Connection



**Note:**

- LED charge indicator will be lit if installation is done properly
- For first usage, ensure mains supply to the unit is turned on for 24 hours to fully charge the battery.

*\*Interrupting the mains supply will discharge the battery.*

- For complete maintenance procedures for self-contained emergency escape luminaires and exit signs, refer to Singapore Standard 563 Clause 13.
- Installation accessories are not provided unless otherwise stated.

**TROUBLESHOOTING GUIDE**

<b>Problem</b>	<b>Possible Cause and Solution</b>
Charge indicator off	No incoming mains supply
Unable to light up in emergency mode	Battery connector is disconnected
	Battery is flat; Ensure the mains supply is turned on to allow the battery to fully charge
Duration of lighting up in emergency mode is too short	Battery is not properly charged; Ensure the mains supply is turned on to allow the battery to fully charge; Ensure there is no interruption of power supply for 24 hours