



SLIMLINE

LED EMERGENCY EXIT LIGHT



SLS.M.SRE.NC180.WLF



SLS.M.SE.NC180.WLF



SLS.M.SE.NC180.WLF

(With Recess Panel)



SLS.M.SRE.NC180.WLF

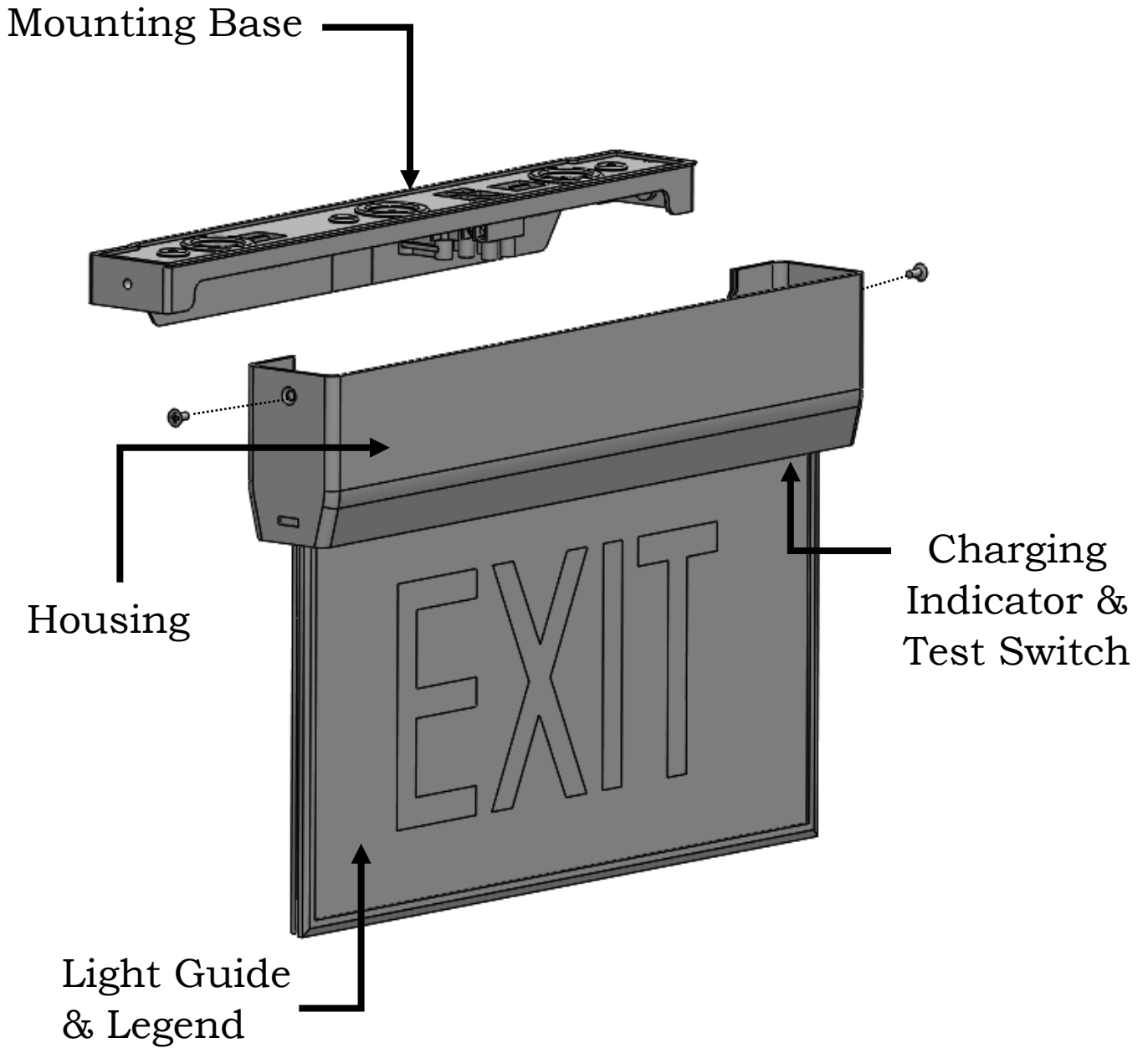
(With Recess Panel)

SAFETY INFORMATION

- **Please read and follow this product guide.**
- Servicing and installation of this product must only be done by qualified electrical personnel.
- Do not expose this product to dripping or splashing. Liquids may cause failure and/or fire hazard.
- Replace with Maxspid-approved correct type of battery only. Incorrectly replaced battery may cause failure and/or fire.
- Match the polarities of the mains supply with the terminal block and ensure it is firmly secured. Mismatch may cause electric shock. [Refer to Fig C]

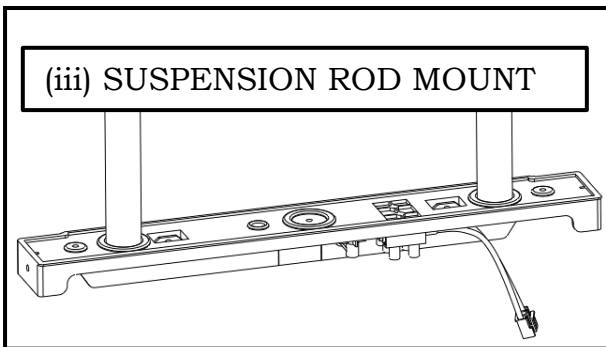
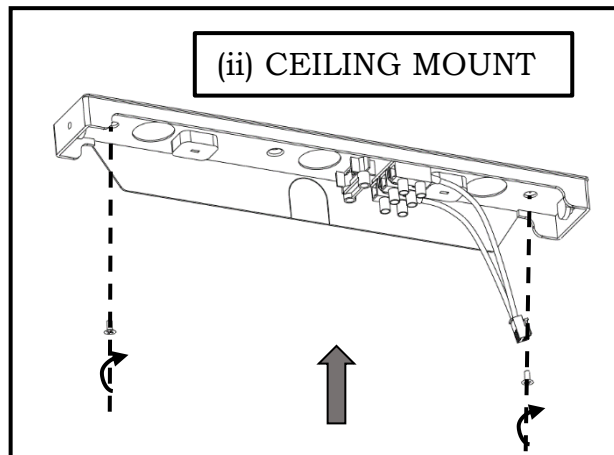
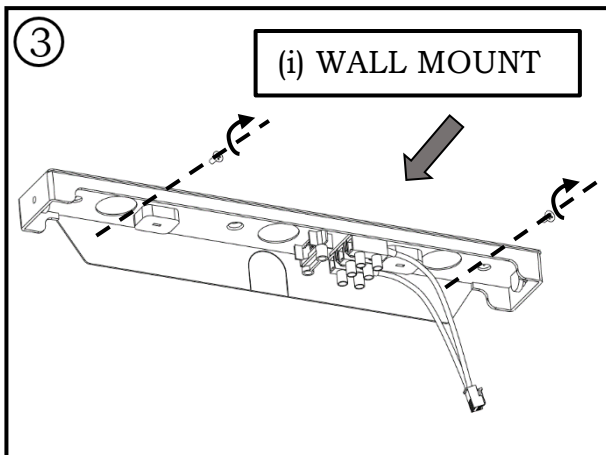
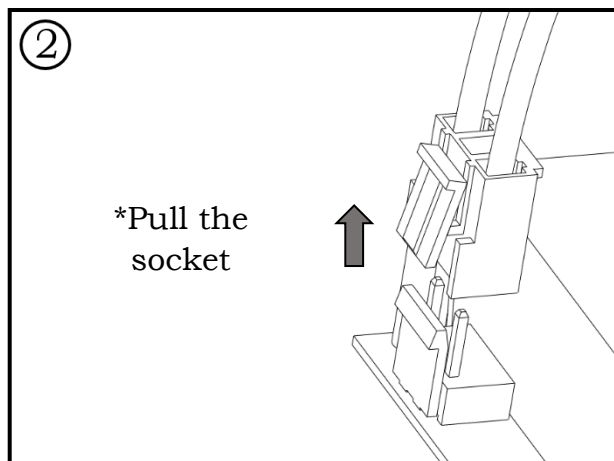
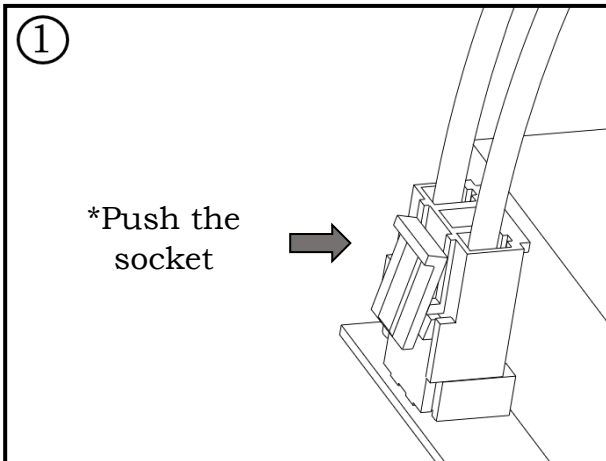
INSTALLATION GUIDE

**SLS Unit Description
[Fig A]**



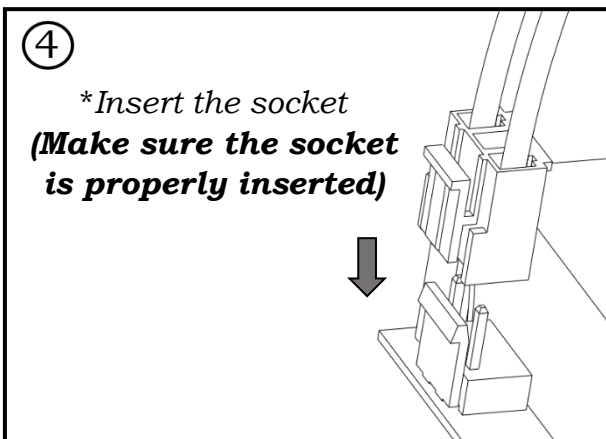
SLS Surface Mounting Guide [Fig B]

*Please uninstall the socket of L & N cable before mounting.

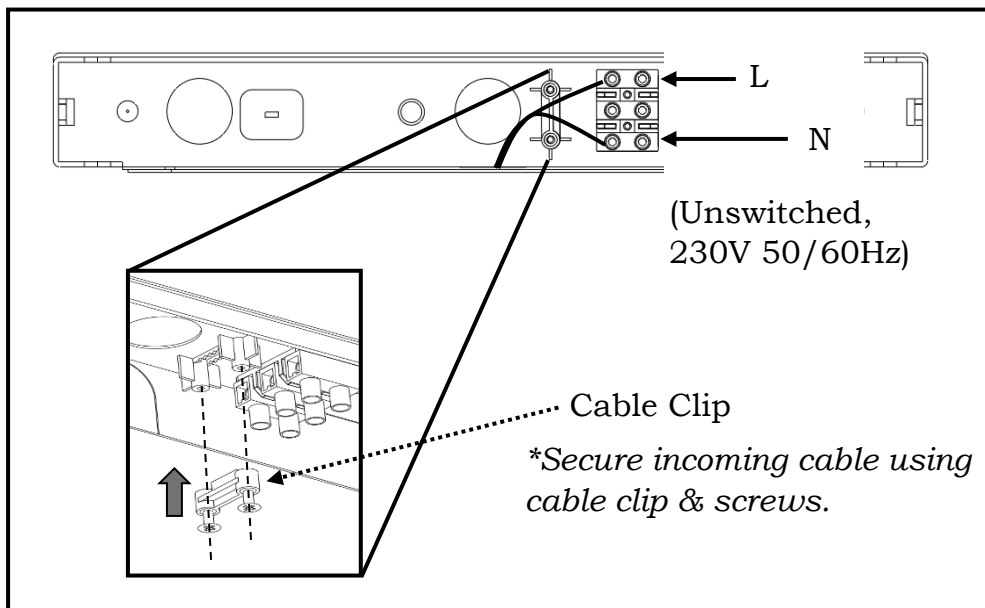


*For recessed mounting, please refer to Fig D & E

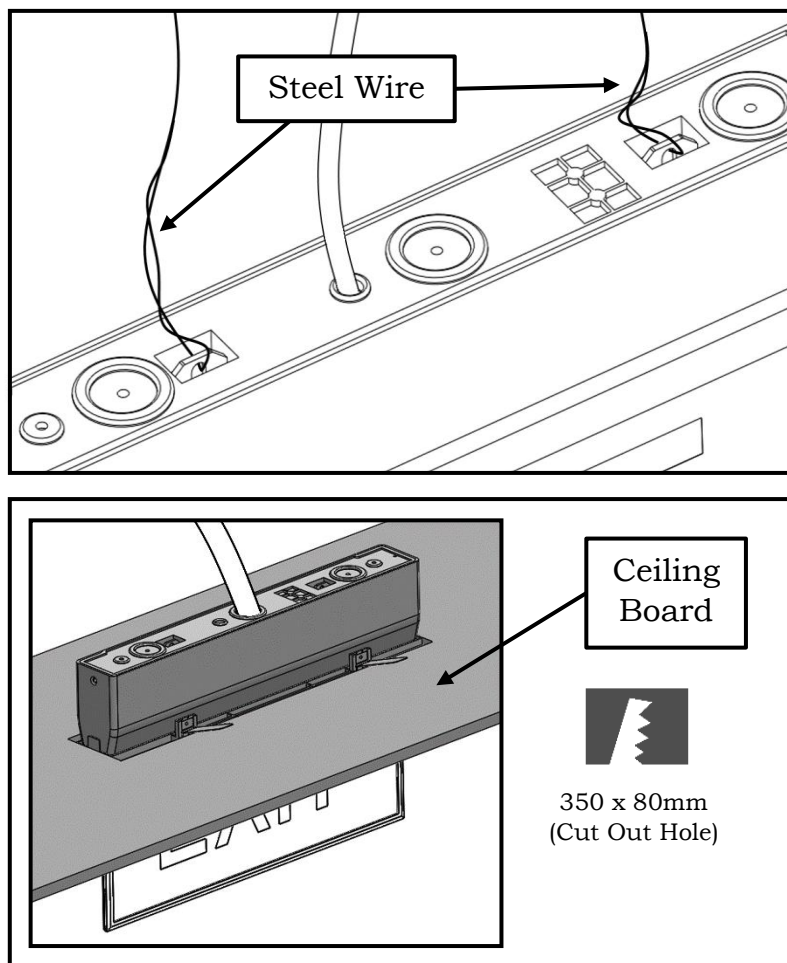
*Please install back the socket of L & N cables after secured mounting.



Mains Supply Connection [Fig C]



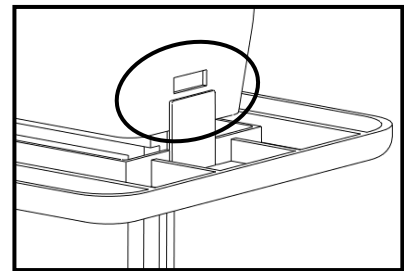
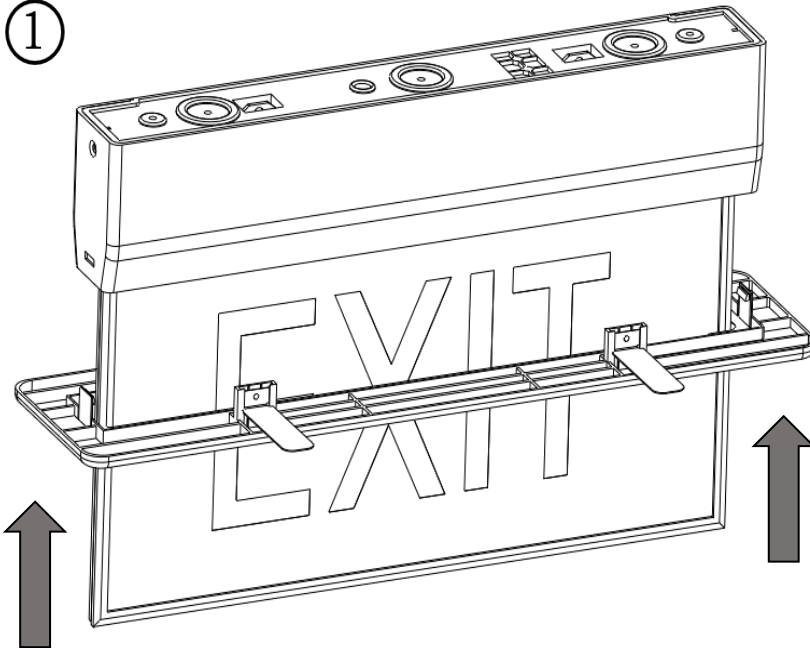
Recessed Mounting Guide [Fig D]



Recess Panel Installation Guide

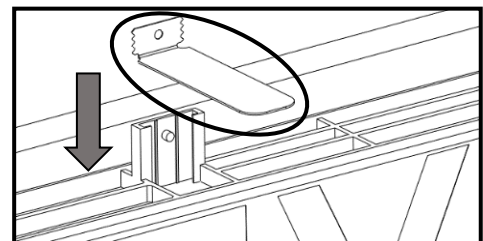
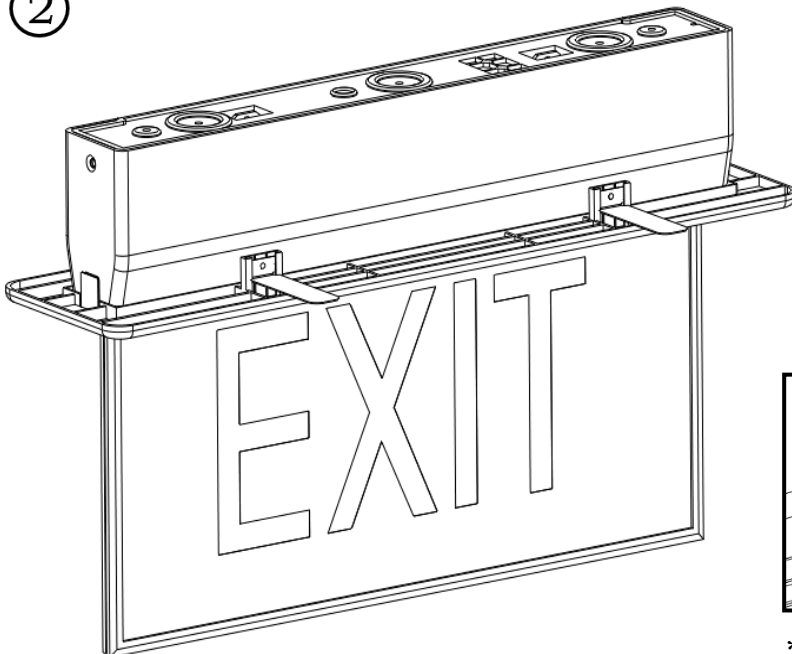
[Fig E]

①



**Make sure 2 snap-fit clips on recess panel secured with main housing*

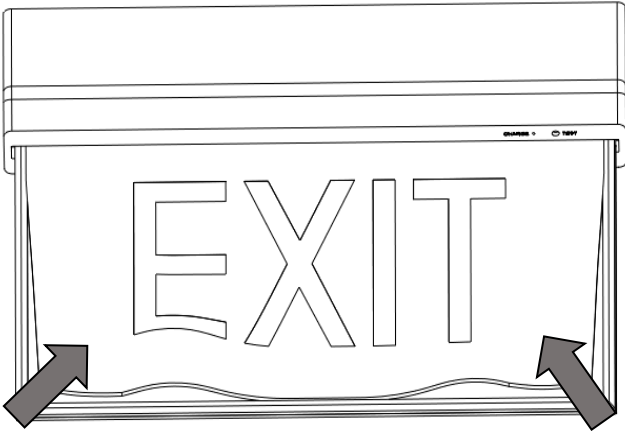
②



**Insert 4 metal springs before installing luminaire
(Make sure the position of metal springs is correct as shown in the figure)*

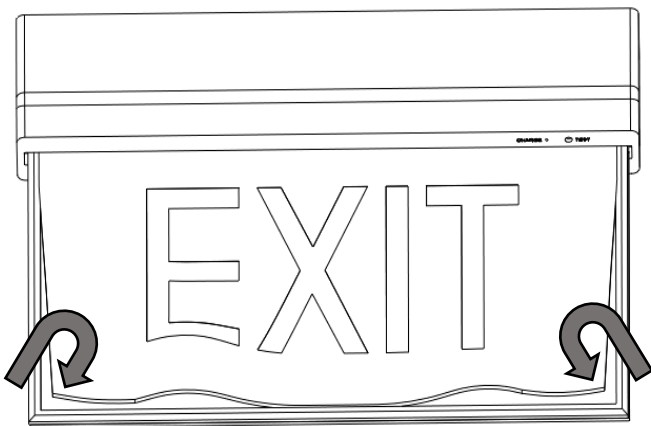
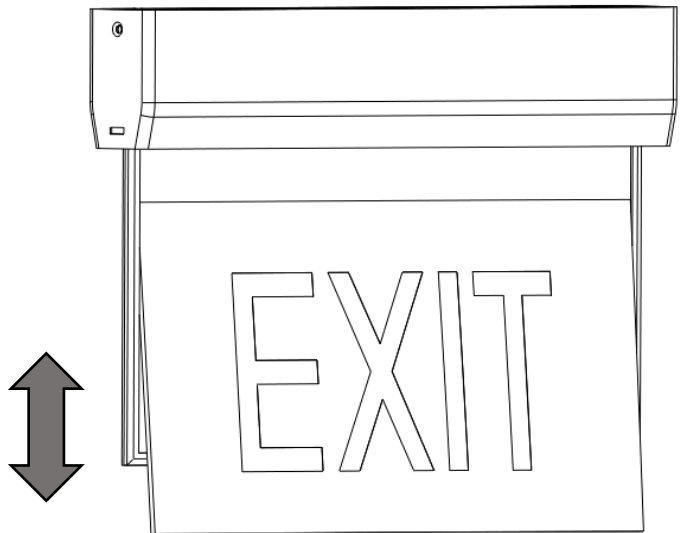
Lexan Film Changing Guide

[Fig F]



① **Gently remove the Lexan film from surface frame*

② **Avoid dirt & scratches on Lexan film or light guide*



③ **Make sure the Lexan film is properly installed*

Note:

- LED charge indicator (green) will be lit if installation is done correctly. Blinking green indicates charging; solid green indicates fully charged.
- Do not connect/disconnect battery with AC supply connected.
- For first-time usage, ensure mains supply to the unit is turned on for 24 hours to fully charge the battery.

**Interrupting the mains supply will discharge the battery.*

- For complete maintenance procedures for self-contained emergency escape luminaires and exit signs, refer to Singapore Standard 563 Clause 13.
- Installation accessories are not provided unless otherwise stated.

TROUBLESHOOTING GUIDE

Problem	Possible Cause and Solution
Green indicator off	No incoming mains supply
Unable to light up in emergency mode	Battery is not connected
	Battery is flat; Ensure the mains supply is turned on to allow the battery to fully charge
Duration of lighting up in emergency mode is too short	Battery is not properly charged; Ensure the mains supply is turned on to allow the battery to fully charge; Ensure there is no interruption of power supply for 24 hours
	Battery capacity is insufficient; battery replacement is required