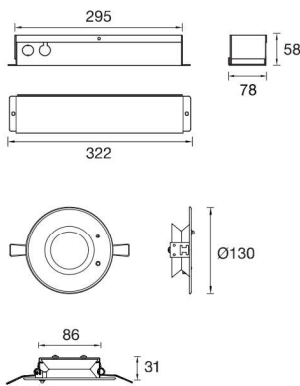




• UBDR.10.NC120.NM



Dimension: mm NTS  
**High Power L.E.D**

**TECHNICAL DATA**

- Mode of Operation : Non-Maintained
- Lamp : 10W High Power LED Module
- Rated Duration : 2 hrs and others
- Mains Supply : 230 Volts, 50/60Hz
- Power Consumption : < 2.2W
- Battery : High temp Nickel Cadmium
- Charge Monitor : Green LED Ø5mm
- Test Facility : Micro Switch
- Safety Feature : Low volt cut-off preventing battery overdischarge
- Fitting Construction : Electro galvanised steel with epoxy powder coating
- Mounting : Recess
- Cable Entry : Ø20mm K/O hole
- Weight : 1.6kg (gross)
- Compliance : SS 563 : Part 1 & 2, SS IEC 60598-2-22
- Warranty : 1 year

**KEY FEATURES**

- > High Brightness Output
- > High Lumen/watt Efficiency
- > Standard Size Application for Both Accessible and Inaccessible Ceiling
- > Low Power Consumption
- > Low Maintenance
- > Long Lifespan
- > Mainly Use for High Ceiling (> 8 metre)

**ORDERING GUIDE** *(Please check with Sales Dept if customisation is required)*

Model	Lamp	Battery type
UBDR.10.NC120.NM	10W LED Module	Nickel Cadmium



Type and batch tested with PSB PLUS-LISTED LABEL



Recess Mount Emergency Luminaire

Ø110mm



IP20 CLASS I