

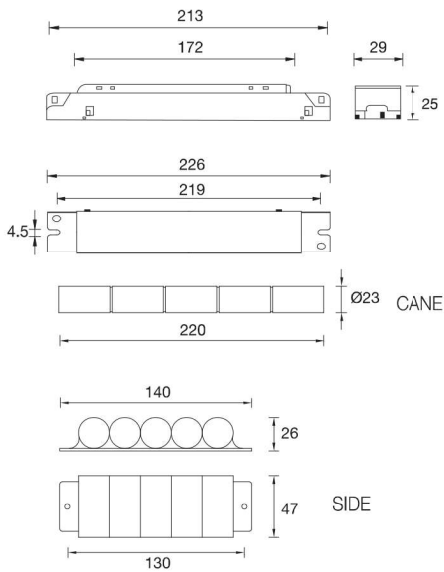


● MEM/M/LED MINI

● 6.0V 1.8AH
(Cane)

or

● 6.0V 1.8AH
(Side)



Dimension: mm NTS



LED Lamp



Type and batch tested with
PSB PLS-LISTED LABEL



TECHNICAL DATA

| | |
|----------------------|--|
| Mode of Operation | : Maintained* |
| Lamp | : LED Lamp |
| Rated Duration | : 2hrs and others |
| Mains Supply | : 230 Volts, 50/60Hz |
| Power Consumption | : < 2.9W |
| Battery | : High temp Nickel Cadmium |
| Charge Monitor | : Green LED Ø5mm |
| Test Facility | : Push button switch |
| Safety Feature | : Low volt cut-off preventing battery overdischarge |
| Fitting Construction | : Electro galvanised steel with epoxy powder coating |
| Weight (Module only) | : 0.20kg (gross) |
| Compliance | : IEC 61347-2-7, IEC 61347-2-13, IEC 62384 |
| Warranty | : 1 year |

ORDERING GUIDE (Please check with Sales Dept if customisation is required)

| Model | Lamp |
|----------------|---------------------------|
| MEM/M/LED MINI | 2ft to 5ft T5/T8 LED Lamp |

*Note:

Can be incorporated into combined maintained, combined non-maintained and non-maintained mode of operation.

** Please ensure that your LED Lamp & Driver are suitable for Emergency installation.