

EMERGENCY POWER PACKS CONVERSION KIT

Emergency kit for fluorescent lamp fitting

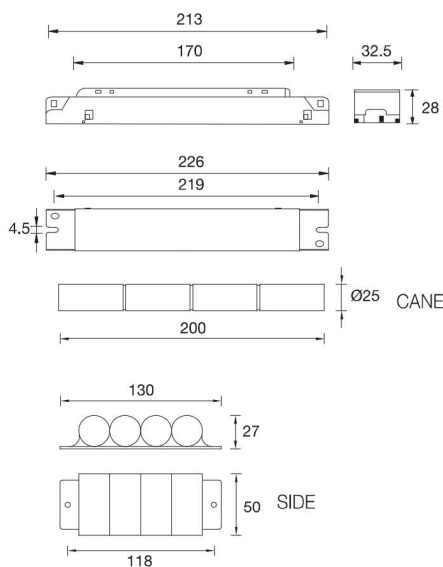


● MEM/M/128E MINI

● 4.8V 2.5AH
(Cane)

or

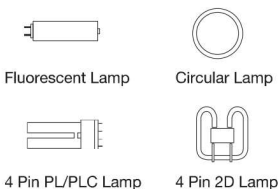
● 4.8V 2.5AH
(Side)



TECHNICAL DATA

Mode of Operation	: Maintained*
Lamp	: 4-pin fluorescent, PL/PLC and 2D lamps
Rated Duration	: 2 hrs and others
Mains Supply	: 230 Volts, 50/60Hz
Power Consumption	: < 3.9W
Battery	: High temp Nickel Cadmium
Charge Monitor	: Green LED Ø5mm
Test Facility	: Push button switch
Safety Feature	: Low volt cut-off preventing battery overdischarge
Fitting Construction	: Electro galvanised steel with epoxy powder coating
Weight (Module only)	: 0.20kg (gross)
Compliance	: IEC 61347-2-7
Warranty	: 1 year

Dimension: mm NTS



ORDERING GUIDE

(Please check with Sales Dept if customisation is required)

Model	Lamp	For use with	Battery
MEM/M/114E MINI	T5 14W	Conventional and Electronic ballast	3.6V 1.8 AH
MEM/M/114E MINI	PLC10-26W 4-pin, T8 18W		3.6V 2.5 AH
MEM/M/114E MINI (Dimension:190x31x23mm)	T5 14W (MAINLY FOR 2FT BARE BTN)		3.6V 1.8 AH C3C3
MFM/M/128E MINI	T5 28W, T8 36W		4.8V 2.5 AH
MEM/M/154E MINI	T5 35W, T5 49W, T5 54W, T8 58W		6.0V 2.5 AH
MEM/M/154E MINI	T5 35W, T5 49W, T5 54W, T8 58W		6.0V 4.5 AH



Type and batch tested with
PSB PLS-LISTED LABEL



*Note:

Can be incorporated into combined maintained, combined non-maintained and non-maintained mode of operation.



Specifications subject to changes without prior notice.

