

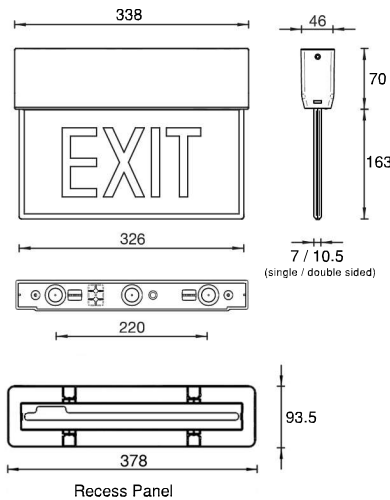
SMT LED with lifespan 50,000 burning hours
SMT LED surface / recess mount emergency exit light

EMERGENCY EXIT LIGHTS SLIMLINE



● **SLS.M.SRE.NC180.WLF**
Running-man graphical exit signs
comply to latest SS 563 & SS 508

● **SLS.M.SE.NC180.WLF**
(With Recess Panel)



Dimension: mm NTS

KEY FEATURES

- > Using Surface Mount Technology LED
- > High Durability & Reliability
- > Low Heat
- > Low Maintenance
- > Low Power Consumption
- > No "Black Ends"
- > Versatile & User Customisable



Type and batch tested with
PSB PLS-LISTED LABEL



350 x 80mm

Surface Mount/
Recess Mount
Internal Lit
LED Slim Exit Sign



IP30



TECHNICAL DATA

Mode of Operation	: Maintained
Lamp	: 1.5W SMT LED
Rated Duration	: 3 hrs and others
Mains Supply	: 230 Volts, 50/60Hz
Power Consumption	: < 3W
Battery	: High temp Nickel Cadmium/Lithium
Charge Monitor	: Green LED
Test Facility	: Tactile switch
Safety Feature	: Low volt cut-off preventing battery overdischarge
Fitting Construction	: Injection moulded fire retardant high impact polycarbonate-acrylonitrile butadiene styrene (PC-ABS)
Diffuser	: Fire retardant moulded acrylic
Mounting	: Wall or ceiling
Cable Entry	: Ø20mm K/O hole
Weight	: 0.8kg (gross)
Compliance	: SS 563 : Part 1 & 2, SS IEC 60598-2-22
Warranty	: 1 year

ORDERING GUIDE (Please check with Sales Dept if customisation is required)

Single Sided	Double Sided	Legend
SLS.M.SE.NC180.WLF	SLS.M.DE.NC180.WLF	
SLS.M.SEE.NC180.WLF	SLS.M.DEE.NC180.WLF	
SLS.M.SEW.NC180.WLF	SLS.M.DEE.NC180.WLF	
SLS.M.SR.NC180.WLF	SLS.M.DR.NC180.WLF	
SLS.M.SRE.NC180.WLF	SLS.M.DRE.NC180.WLF	
SLS.M.SRW.NC180.WLF	SLS.M.DRE.NC180.WLF	
SLS.M.SRS.NC180.WLF		
SLS.M.SRN.NC180.WLF		