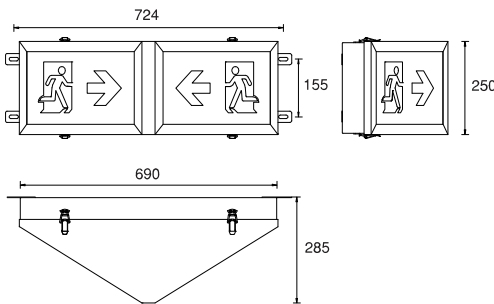


TUNNEL EXIT LIGHTS TRILITE

Surface mount triangular slave unit



● TL/210RM



Dimension: mm NTS

TECHNICAL DATA

Mode of Operation	: Slave
Lamp	: 2 x 7W LED
Mains Supply	: 230 Volts, 50/60Hz
Fitting Construction	: 304 Stainless steel
Diffuser	: Tempered glass
Cable Entry	: Ø25mm hole
Mounting	: Wall
Weight	: 10kg (gross)
Compliance	: IEC 60598-1, IEC 62236-5, IEC 61000-4-11, CISPR 15

ORDERING GUIDE (Please check with Sales Dept if customisation is required)

Model	Legend
TL/210	EXIT EXIT
TL/210RM	EXIT EXIT

Surface Mount
Weatherproof
Tunnel Sign

