

LED Economical non-maintained emergency twin light

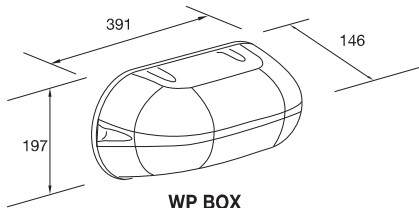
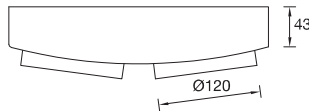
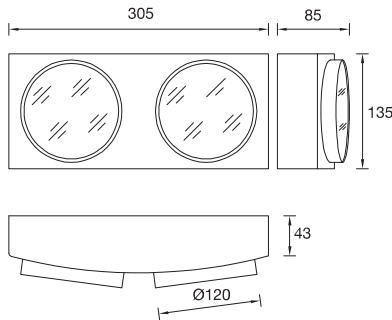
# EMERGENCY LIGHTS MINNIE



● MR203L NC



● MR203L NC WP  
( Weatherproof )



WP BOX

Dimension: mm NTS

High Power L.E.D

## KEY FEATURES

- > High Brightness Output
- > High Lumen/watt Efficiency
- > Low Power Consumption
- > Low Maintenance
- > Long Lifespan



Surface Mount  
Energy Efficient  
Emergency Luminaire



IP30 / IP54

## TECHNICAL DATA

Mode of Operation	: Non-Maintained
Lamp	: 2 x 3W High Power LED
Rated Duration	: 2hrs and others
Mains Supply	: 230 Volts, 50/60Hz
Power Consumption	: < 1.1W
Battery	: High temp Nickel Cadmium
Charge Monitor	: Green LED Ø5mm
Test Facility	: Micro switch
Safety Feature	: Low volt cut-off preventing battery overdischarge
Fitting Construction	: Injection moulded thermoplastic ABS; UL 94V-0 flame rating, two fully adjustable glare-free round shaped heads
Mounting	: Wall or ceiling. The snap-fit design will facilitate easy installations. Easily removable mounting and knockout holes are provided
Cable Entry	: Ø20mm K/O hole
Weight	: 1.2kg (gross)
Compliance	: SS 563 : Part 1 & 2, SS IEC 60598-2-22
Warranty	: 1 year

## ORDERING GUIDE (Please check with Sales Dept if customisation is required)

Model	Lamp	Battery type
MR203L NC	2 x 3W LED	Nickel Cadmium
MR203L NC WP	2 x 3W LED	Nickel Cadmium