

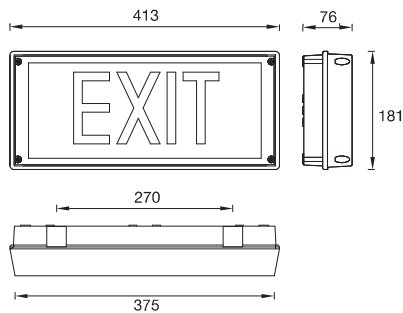
SMT LED with lifespan 50,000 burning hours
Indoor, outdoor, corrosion resistant weatherproof emergency exit light

EMERGENCY EXIT LIGHTS FINESCO



● **KL/M/W510RM (E)**
Running-man graphical exit signs
comply to latest SS 563 & SS 508

● **KL/M/W5100**



Dimension: mm NTS

TECHNICAL DATA

Mode of Operation	: Maintained
Lamp	: Maxspid 1W SMT LED Lamp
Rated Duration	: 2 hrs and others
Mains Supply	: 230 Volts, 50/60Hz
Power Consumption	: < 3W
Battery	: High temp Nickel Cadmium
Charge Monitor	: Green LED Ø5mm
Test Facility	: Push button switch
Safety Feature	: Low volt cut-off preventing battery overdischarge
Housing & Diffuser	: Injection moulded fire retardant, high impact polycarbonate
Mounting	: Wall, ceiling suspended or semi-recessed
Cable Entry	: Ø20mm K/O hole
Weight	: 1.6kg (gross)
Compliance	: SS 563 : Part 1 & 2, SS IEC 60598-2-22
Warranty	: 1 year

KEY FEATURES

- > Using Surface Mount Technology LED
- > High Durability & Reliability
- > Low Heat
- > Low Maintenance
- > Low Power Consumption
- > No "Black Ends"



Surface/Semi-recessed
Mount Weatherproof
Exit Sign



ORDERING GUIDE (Please check with Sales Dept if customisation is required)

Single Sided	Legend
KL/M/W5100	
KL/M/W5100 (R)	
KL/M/W5100 (L)	
KL/M/W510RM	
KL/M/W510RM (E)	
KL/M/W510RM (W)	

*Heating strip applicable (for cold room used)